

Now available in a non-mercury version, these sensors provide you with the stability, sensitivity and performance you have come to expect from the traditional mercury-based Thermo Scientific Ramsey Tilt Switches.

Thermo Scientific Ramsey™ Mercury-Free Tilt Sensors



Features and Benefits

- Rugged, abrasion-resistant tilt probes
- Simple installation
- All probes include mounting hardware
- Solid-state control unit with printed circuit boards
- Control unit is available in the following options
 - Field mount NEMA 4
 - Field mount NEMA 4X
 - DIN mount NEMA 1
- User adjustable time delay to prevent false alarms
- LED status lights — no bulbs to change

The Thermo Scientific Ramsey Mercury-Free Tilt Sensor uses advanced technology inside the tilt probe to replicate the same performance found in traditional mercury-based Thermo Scientific Ramsey Tilt Switches. A combination of opto-electronics and solid state circuitry inside the probe prevents jitter and provides stability not found in the typical non-mercury options.

The precision manufacturing of the tilt probe provides sensing of a 15 degree inclination in a full 360 degrees of direction. Multiple models of the tilt probe are available for applications with a wide variety of materials and environmental conditions (see inside for a description of the available options). All probes have fully encapsulated electronics and come with the necessary mounting hardware.

The field-mount control unit includes the traditional green “Normal” and red “Alarm” indicators with LED illuminators (a DIN mount control is also available). The DPDT relay contacts give you two normally open and two normally closed connections for your external alarms and/or controls. An internal jumper allows you to select whether “Normal” is a horizontal or a tilted position. An adjustable time delay inside the control prevents a momentary tilting of the probe from causing a false or premature contact transfer. Interruption of line power will cause a contact transfer.

Ramsey Mercury-Free Tilt Sensor Controls

The sensor consists of a control unit and a tilt probe.

Due to the nature of the stabilizing electronics, tilt probes cannot be used without a controller.



20-35-NM-F —Field Mount Control
(IP65/NEMA 4)



20-35-NM-F-4x SST—Field Mount Control
(IP65/NEMA 4x)



20-35-NM-DIN—DIN Mount Control
(IP65/NEMA 1)

Ramsey Mercury-Free Tilt Sensor Probes



20-59-NM
Standard 1 in. Nickel Plated
Cast Ductile Iron Probe



20-55-NM-P
1 in. Light Weight
Plastic Probe



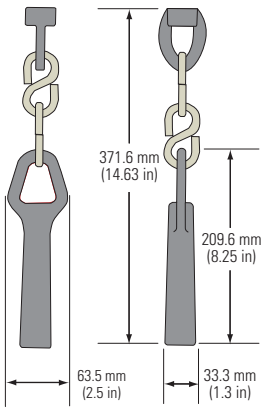
20-54-NM-SS
1 in. Stainless Steel Probe



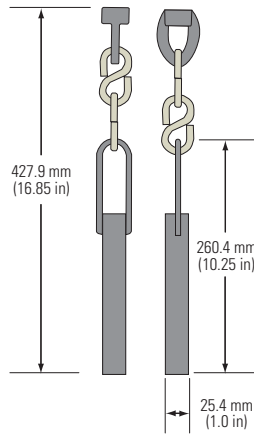
20-52-NM
2 in. Heavy Weight Probe



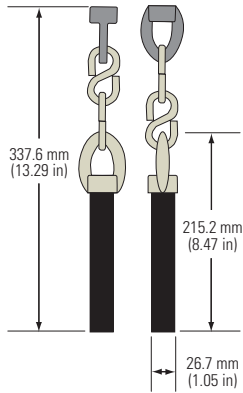
Tilt Sensor Probe Models



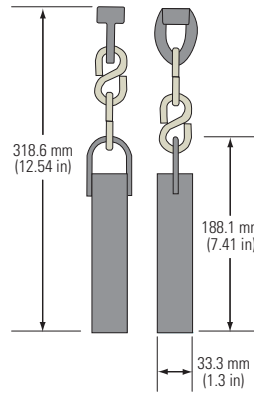
20-59-NM



20-54-NM-SS



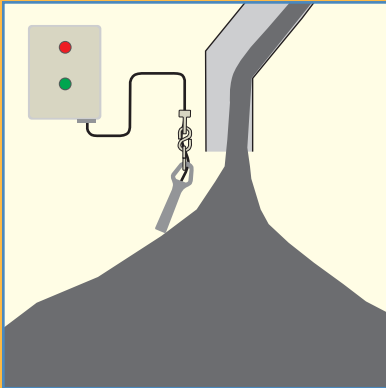
20-55-NM-P



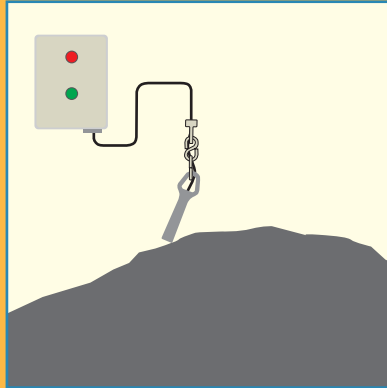
20-52-NM



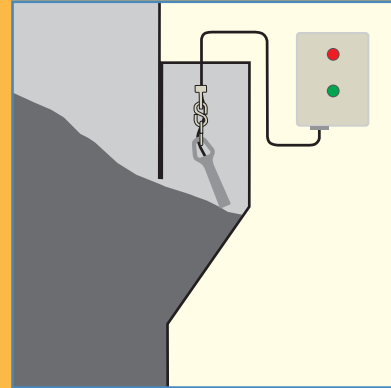
Typical Industry Applications



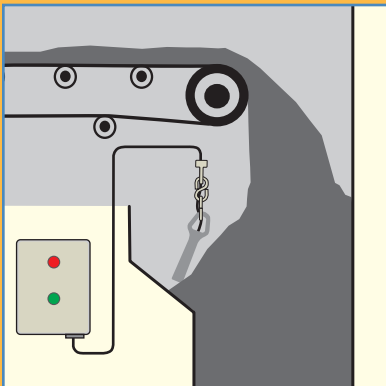
High Level



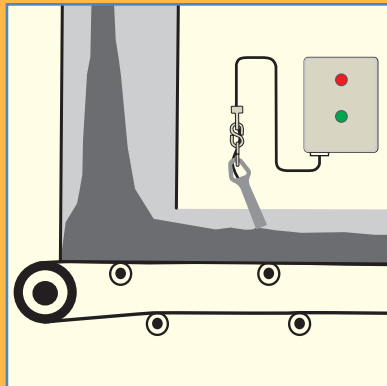
High Pile



Low Level



Plugged Chute



Material Flow

Thermo Scientific Ramsey Mercury-Free Tilt Sensors

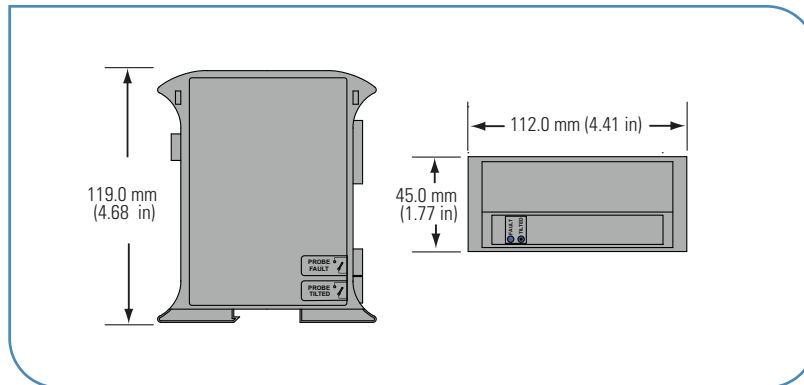
Probes

Temperature Rating	All models	-40°C (-40°F) to +50°C (+122°F)
Protection	All models	IP67 (NEMA 4x)
Mounting Hardware	All models	Hanger and two S-hooks included
Certifications	All models	CSA, CE
Hazardous Area Certifications	Approvals Pending	

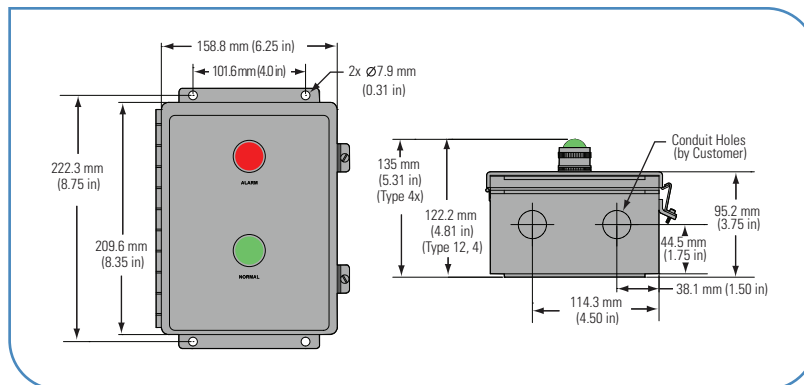
Controllers

Input Power	All models	115/230 VAC, 50/60 HZ
Alarm Contact Rating	20-35-NM-F	(2) SPDT—10 Amp@115/230 VAC, 7 Amp@30 VDC non-inductive
	20-35-NM-F-4X	(2) SPDT—10 Amp@115/230 VAC, 7 Amp@30 VDC non-inductive
	20-35-NM-DIN	(1) NO—2 Amp@115/230 VAC, 3 Amp@24VDC
Fault Contact Rating	All models	(1) NO—rated for 2 Amp@115/230 VAC@24VDC
Time Delay	All models	1, 2, 4, or 6 seconds selectable by jumpers
Temperature Rating	All models	-40°C (-40°F) to +50°C (+122°F)
Protection	20-35-NM-F	IP65 (NEMA 4)
	20-35-NM-F-4X	IP65 (NEMA 4X)
	20-35-NM-DIN	IP20 (NEMA 1)
Certifications	All models	CSA, CE
Hazardous Area Certifications	Approvals Pending	

20-35-NM-DIN Mounting Dimensions



20-35-NM-F Mounting Dimensions



© 2008 Thermo Fisher Scientific Inc. All rights reserved. All trademarks are the property of Thermo Fisher Scientific Inc. and its subsidiaries. Results may vary under different operating conditions. Specifications, terms and pricing are subject to change. Not all products are available in all countries. Please consult your local sales representatives for details. Literature Code PI.8045.0308

Australia +61 (0) 8 8208 8200 +61 (0) 8 8234 3772 fax	Germany +49 (0) 208-824930 +49 (0) 208-852310 fax	Poland +48 (0) 22 651 7530 +48 (0) 22 651 7535 fax	United States +1 (800) 227-8891 +1 (763) 783-2525 fax +1 (763) 783-2500 direct
Canada +1 (905) 888-8808 +1 (905) 888-8828 fax	India +91 (20) 6626 7000 +91 (20) 6626 7001 fax	South Africa +27 (0) 11-609-3101 +27 (0) 11-609-3110 fax	
Chile +56 (0) 2-335-3388 +56 (0) 2-335-1590 fax	Italy +39 02-959514-1 +39 02-953200-15 fax	Spain +34 (0) 91 484 59 65 +34 (0) 91 484 35 97 fax	
China +86 (0) 21 6865 4588 +86 (0) 21 6445 7830 fax	Netherlands +31 (0) 76-579-5555 +31 (0) 76-571-4958 fax	United Kingdom +44 (0) 1788-820300 +44 (0) 1788-820301 fax	www.thermo.com/bulk-handling